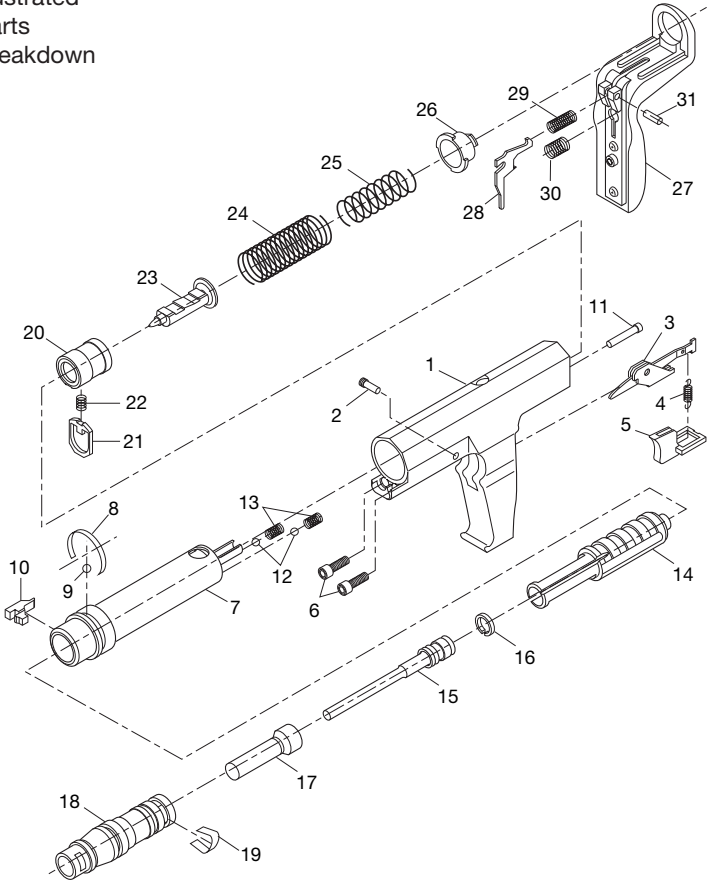


Remington Model 491, 493 and 498 Powder Actuated Tool

114915

Illustrated
Parts
Breakdown



Key No.	Part No.	Description	491	493	498
1	301002	Body	1	1	
	306001	Body			1
2	301034	Trigger Pin	1	1	1
3	301906	Advance Assembly (Holder, Bar, Tube)	1	1	1
4	301531	Advance Spring	1	1	1
5	301533	Trigger	1	1	1
6	301015	Screw	2	2	
	306015	Screw			2
7	305100	Liner	1	1	
	306100	Liner			1
	301100	Liner	1		
8	301014	Annular Spring	1	1	
	306014	Annular Spring			1
9	301013	Ball Bearing	1	1	1
10	501107	Stop	1	1	
	306012	Stop			1
11	301016	Push Pin	1	1	1

Key No.	Part No.	Description	491	493	498
11	301016	Push Pin	1	1	1
12	301046	Ball Bearing	2	2	2
13	301047	Spring	2	2	2
14	305006	Piston Sleeve		1	
	306006	Piston Sleeve			1
	301006	Piston Sleeve	1		
15	305913	Piston Assembly (Includes Piston and Ring)		1	
	306903	Piston Assembly (Includes Piston and Ring)			1
	301903	Piston Assembly (Includes Piston and Ring)	1		
16	301208	Piston Ring	1	1	1
17	305010	Guide		1	
	306010	Guide			1
	301010	Guide	1		
18	305009	Base Plate		1	
	306009	Base Plate			1
	301009	Base Plate	1		
19	301011	Shear Clip	1	1	1
20	301300	Sear Holder	1	1	1
21	301023	Sear	1	1	1
22	301024	Sear Spring	1	1	1
23	301904	Firing Pin Assembly	1	1	1
24	301026	Sear Holder Spring	1	1	1
25	301025	Firing Pin Spring	1	1	1
26	301028	Plug	1	1	1
27	301601	Rubber Pad	1	1	1
28	301844	Rocker Arm	1	1	1
29	301840	Spring	1	1	1
30	301843	Spring	1	1	1
31	301845	Rocker Arm Pin	1	1	1