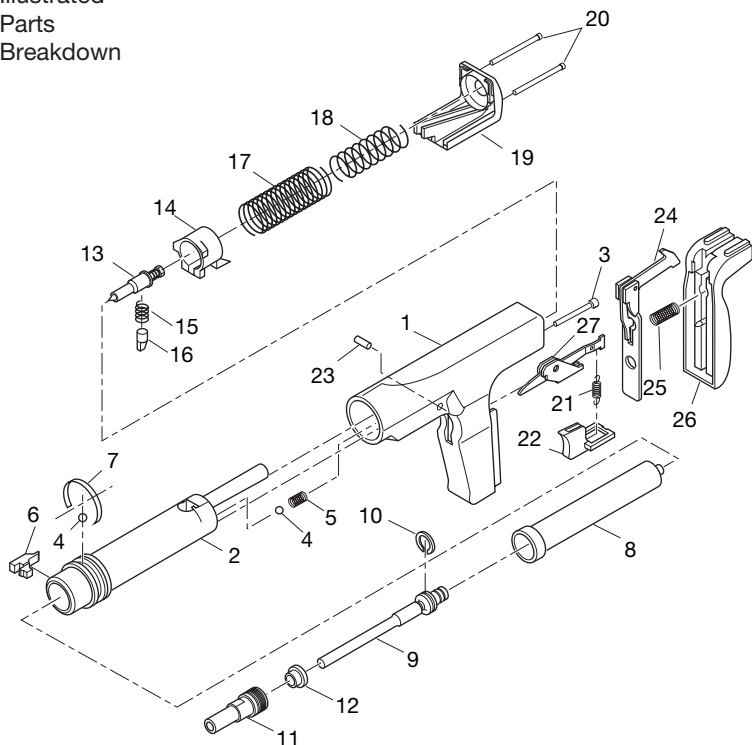


Remington Model 496 Powder Actuated Tool

114917

Illustrated
Parts
Breakdown



Key No.	Part No.	Description	Qty.
1	502001	Housing	1
2	502100	Outer Liner Assembly	1
3	501104	Push Pin	1
4	301013	Ball Setter	2
5	501106	Spring Ball Set	1
6	501107	Key Stop	1
7	301014	Annular Spring	1
8	502200	Barrel	1
9	502202	Piston Assembly (Includes Ring)	1
10	501212	Ring	1
11	502215	3" Muzzle Cap	1
12	TA4086	Plastic Buffer (5 pack)	
13	501300	Firing Pin Assembly (Includes Pin, Spring, Nut, Washer)	1
14	501317	Firing Pin Guide	1

Key No.	Part No.	Description	Qty.
14	501317	Firing Pin Guide	1
15	301047	Spring	1
16	501319	Sear	1
17	501320	Spring	1
18	501321	Safety Spring	1
19	501422	Rear Pad	1
20	501423	Bolt	2
21	301531	Advance Spring	1
22	301533	Trigger	1
23	501526	Trigger Pin	1
24	502600	Rocker Arm Assembly (Includes Rocker Arm, Rocker Arm Pin, and Rocker Arm Holder)	1
25	501733	Rocker Arm Spring	1
26	501700	Handle Pad Assembly	1
27	501500	Advance Assembly (Holder, Bar, Tube)	1

ACCESSORIES

Part No.	Description	Qty.
101320-02	Spall Shield	1
056486	Brush	1
501801	Hex Wrench, 3mm	1