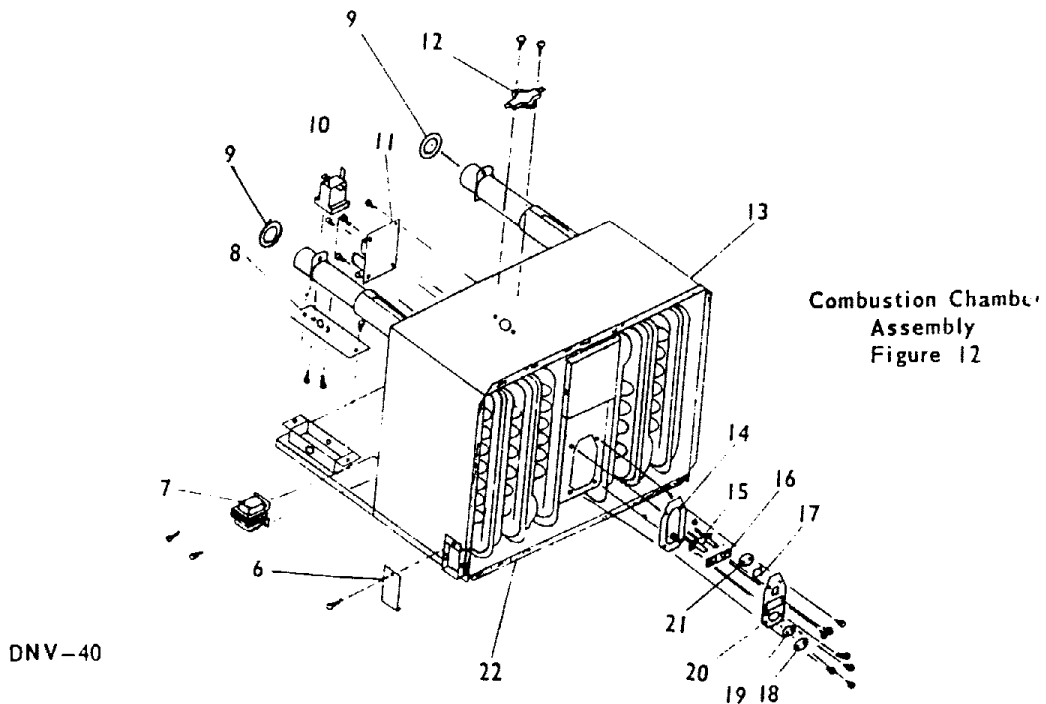
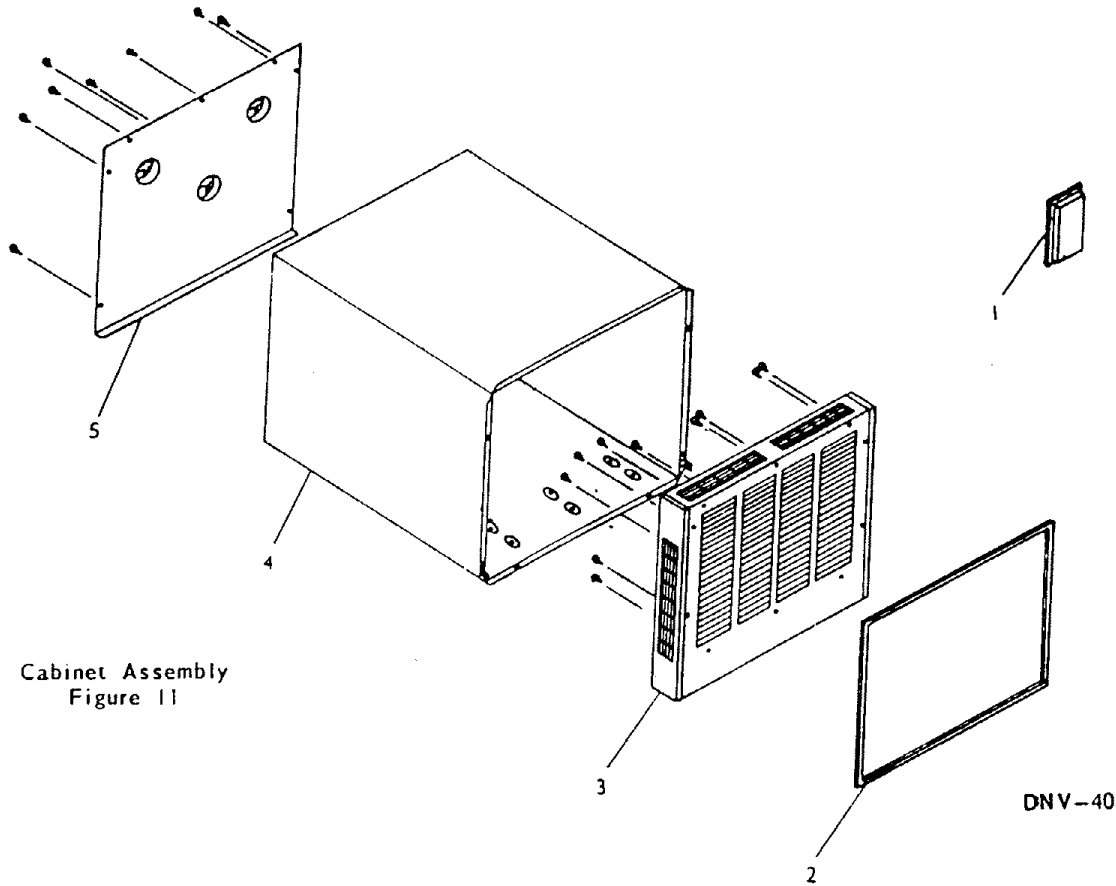


# Suburban Model DNV40 DYNAVENT FORM 2001-B 10-77 thru 3-81

Item No.	Description	Part Number	Item No.	Description	Part Number
1	Thermostat . . . . .	160788	(31)	Orifice, Main Burner #44 Drill	
2	Trim, Grille Front. . . . .	030465		Natural Gas . . . . .	180187
3	Grille, Front Assembly. . . . .	X030471	32	Pin, Roll 3/32 x 1" . . . . .	121398
4	Cabinet . . . . .	X100841	33	Spring, Air Shutter . . . . .	150046
5	Back, Cabinet . . . . .	X100843	34	Shutter, Burner Air . . . . .	010584
6	Cover, Junction Box (Small) . . . . .	090211	35	Main Burner, Right. . . . .	010583
7	Transformer . . . . .	230574	36	Main Burner, Left . . . . .	010585
8	Cover, Junction Box . . . . .	090209	37	Rod, Air Shutter Adjustment . . . . .	140146
9	Gasket, Exhaust and Intake Tube. . . . .	070217	38	CW Blower Wheel, Room Air . . . . .	350088
10	Relay, Time Delay . . . . .	230625	39	Blower Housing Assembly, Left . . . . .	X390195
11	Module Board. . . . .	230608	40	Microswitch & Paddle Assembly . . . . .	X230713
12	Limit Switch. . . . .	230548	41	Bushing, Motor Cover. . . . .	070335
13	Combustion Chamber and Radiation Shield Assembly . . . . .	X020840	42	Gasket, Combustion Air Assembly Cover . . . . .	070419
14	Gasket, Burner Access Door. . . . .	070398	43	Cover, Combustion Air Assembly. . . . .	X390205
15	Electrode Assembly. . . . .	X230546	44	Gasket, Combustion Air Crossover . . . . .	070420
15A	Wire, Electrode (Not Shown) . . . . .	230528	45	Housing, Combustion Air and Motor Cover Assembly. . . . .	X390229
16	Retaining Nut, Electrode Assembly (Not Shown). . . . .	120717	46	Gasket, Combustion Air Housing . . . . .	070406
17	Glass Disc. . . . .	310026	47	Motor . . . . .	230641
18	Cover, Air Adjustment . . . . .	290122	48	Bushing, Motor Mounting . . . . .	070471
19	Gasket, Air Adjustment Cover. . . . .	070407	49	Bracket, Motor Support. . . . .	062307
20	Door, Burner Access . . . . .	030463	50	CCW Wheel, Combustion Air . . . . .	350085
21	Cover Plate . . . . .	290120	51	Blower Housing, Right Side. . . . .	X390201
22	Gasket. . . . .	070505	52	CCW Wheel, Room Air . . . . .	350087
23	90° Ell . . . . .	170082	53	Valve, Manual Shutoff (Not Shown) . . . . .	160554
24	Pipe, Gas Inlet . . . . .	170535	54	Filler Bar (Not Shown). . . . .	062246
25	90° Street Ell. . . . .	170012	55	Insulation Cabinet Top (Not Shown) . . . . .	070510
27	Nipple, 3/8 x 3". . . . .	170532	56	Insulation, Cabinet - Right & Left (Not Shown). . . . .	070511
28	Valve (LP). . . . .	160801	57	Insulation, Cabinet Back (Not Shown) . . . . .	070456
	Valve (NAT) . . . . .	160802			
29	Manifold Pipe Assembly. . . . .	X170534			
30	Gasket, Manifold Assembly . . . . .	070418			
31	Orifice, Main Burner #55 Drill Propane Gas . . . . .	180188			

For Ignitor Kit Style 2 Round use part number 520738

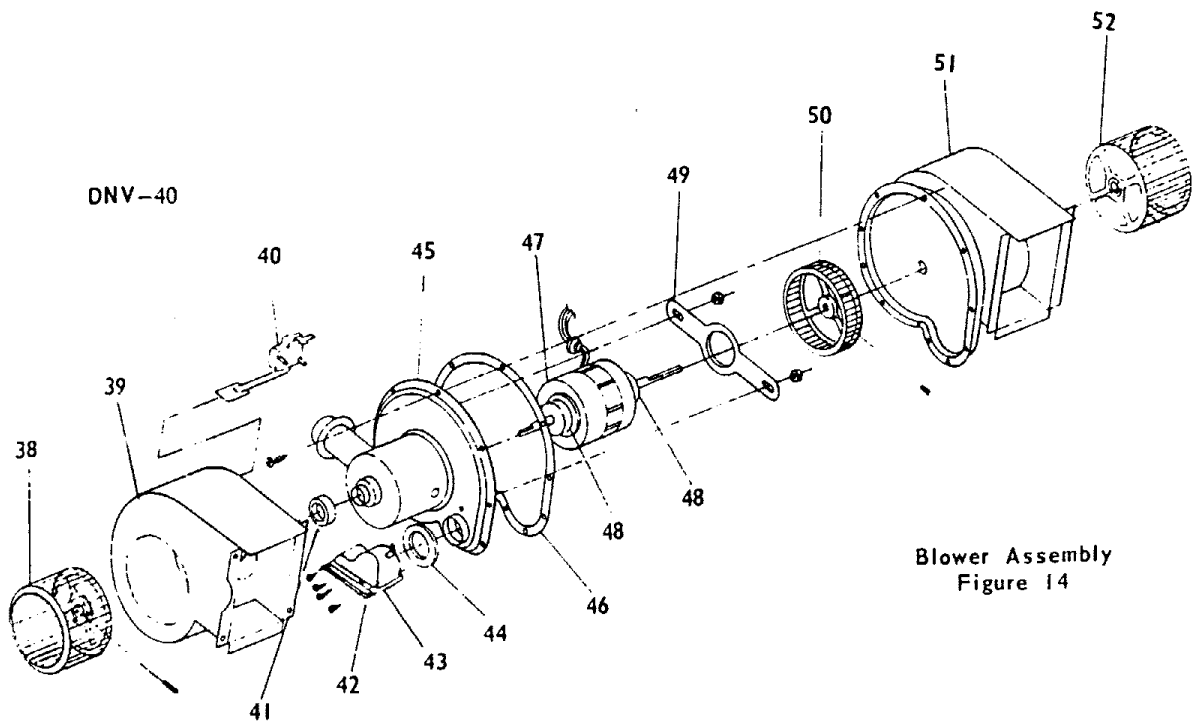
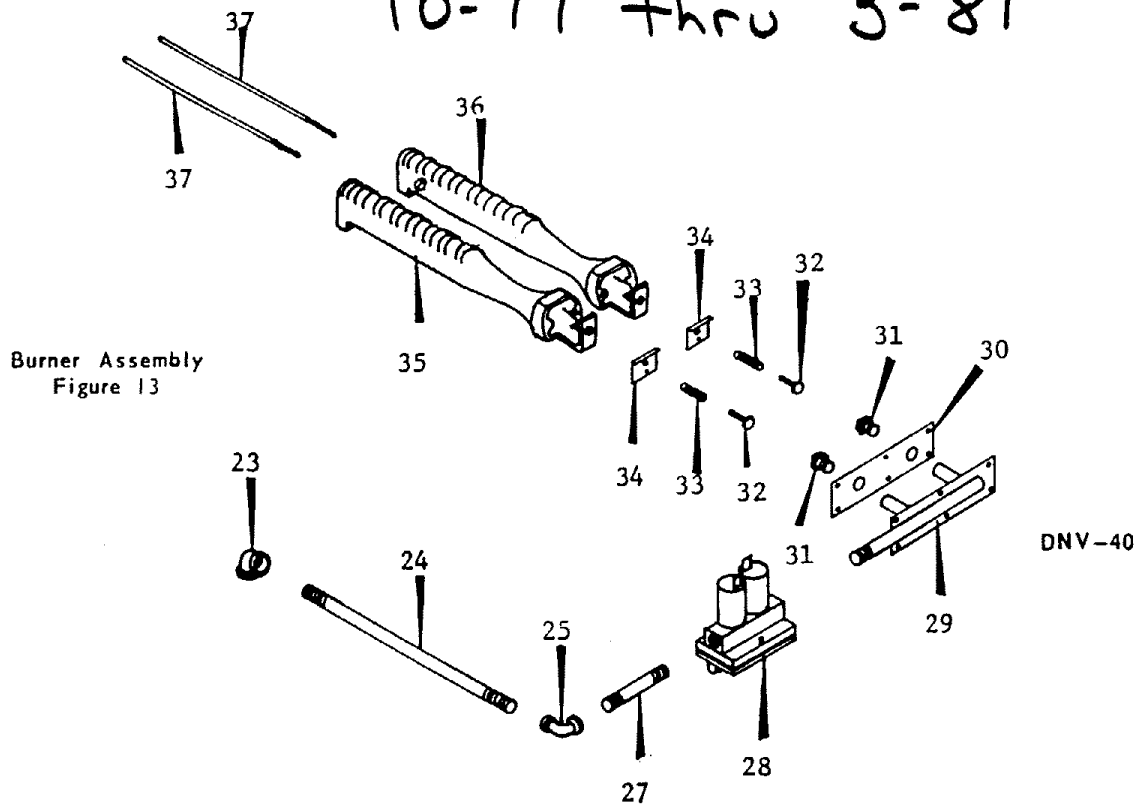
Suburban Model DNV 40  
DYNAVENT FORM 2001-B  
10-77 thru 3-81



Suburban  
DYNAVENT

Model DNV 40  
FORM 2001-B

10-77 thru 3-81



# Suburban Model DNV 40 DYNAVENT FORM 2001-B 10-77 thru 3-81

