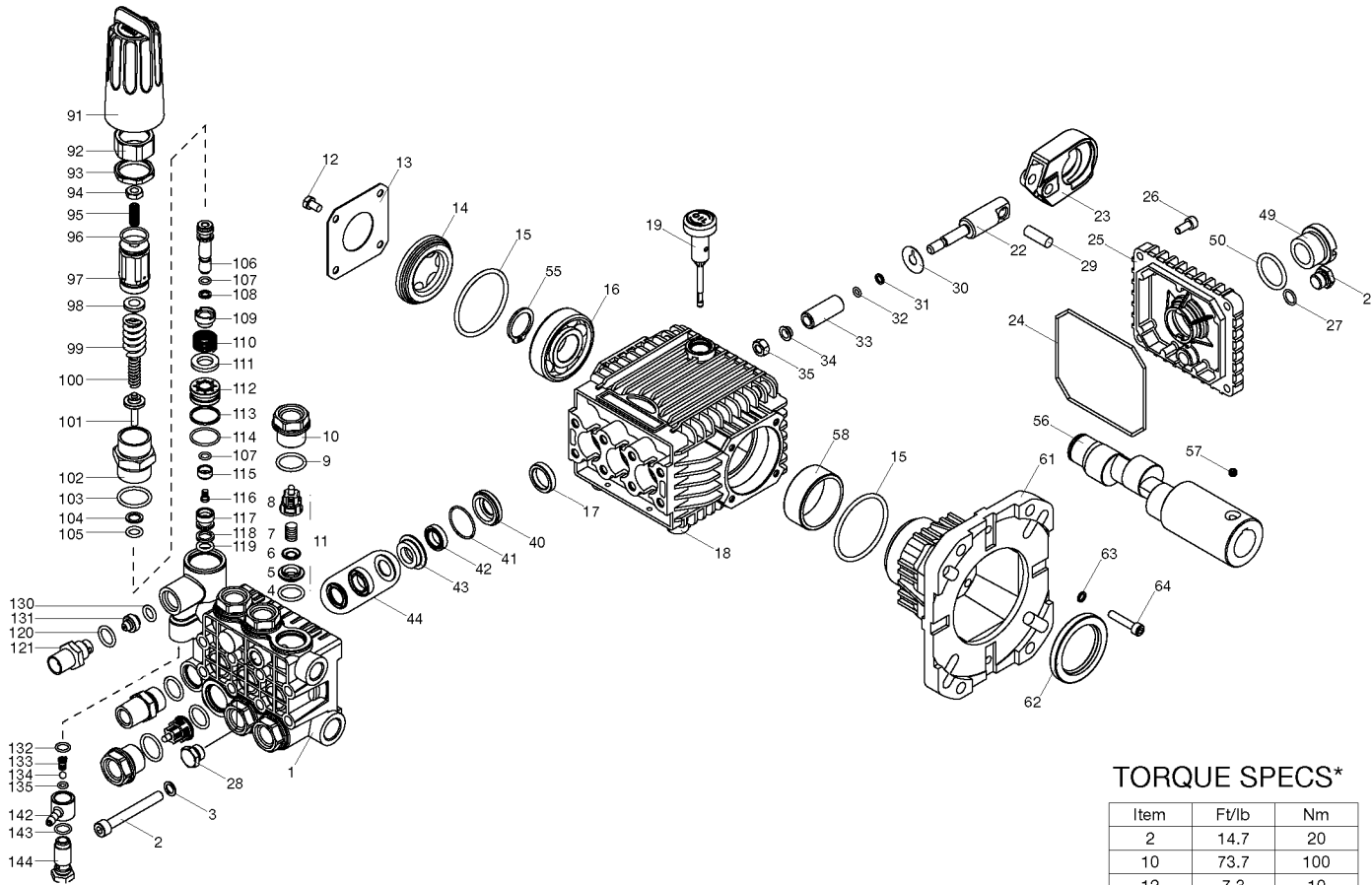




DP3750

Heavy-Duty 3750 PSI Max, 4.0 GPM Max Gas Pressure Washer

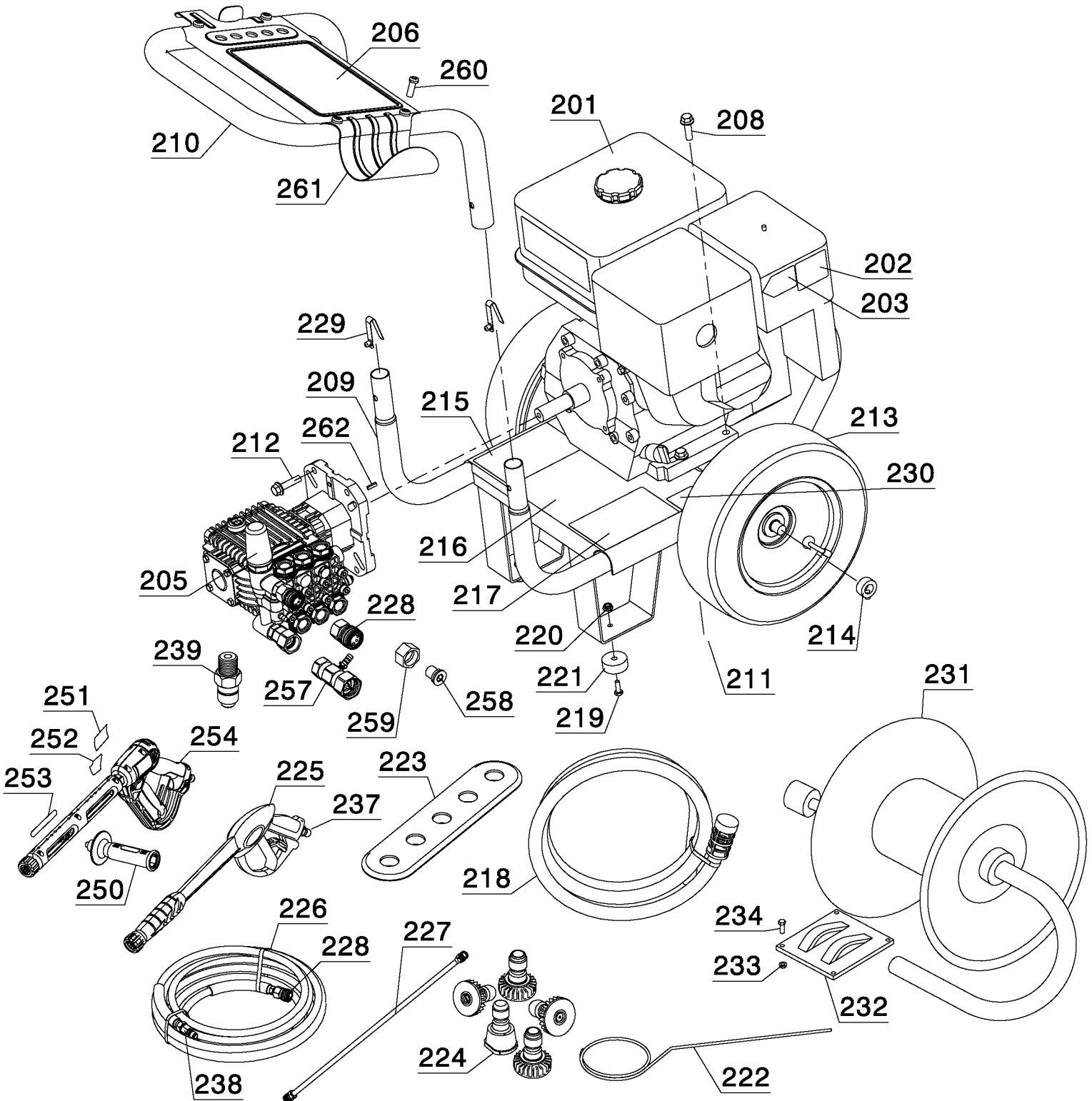
A08042 - TX1510 - PUMP - GENERAL

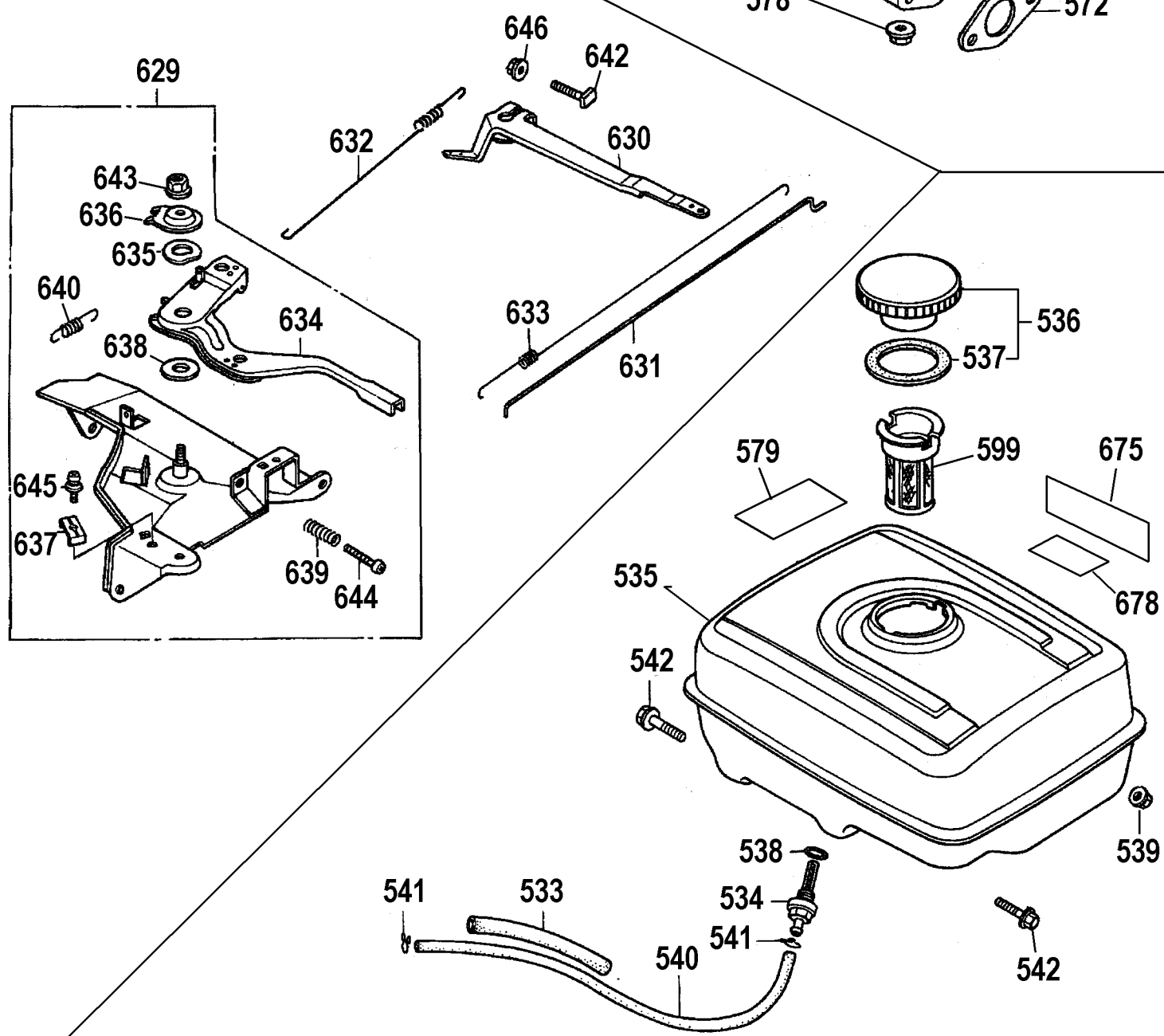
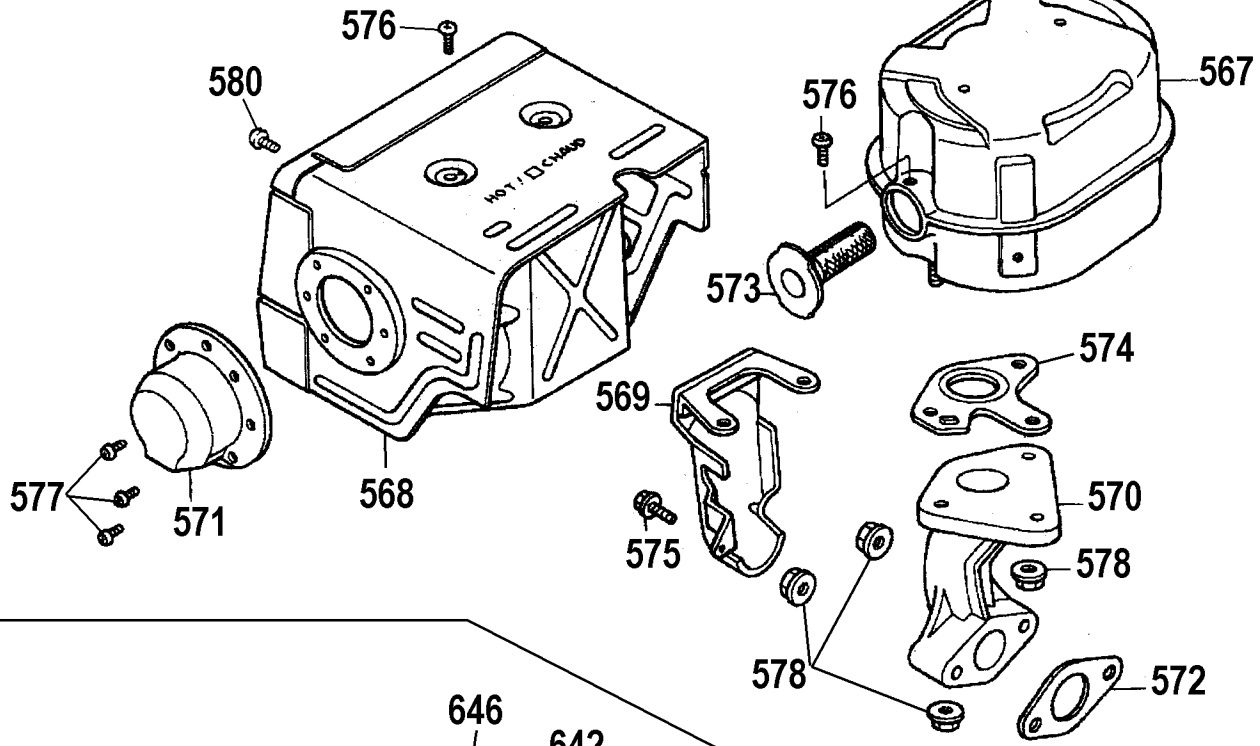


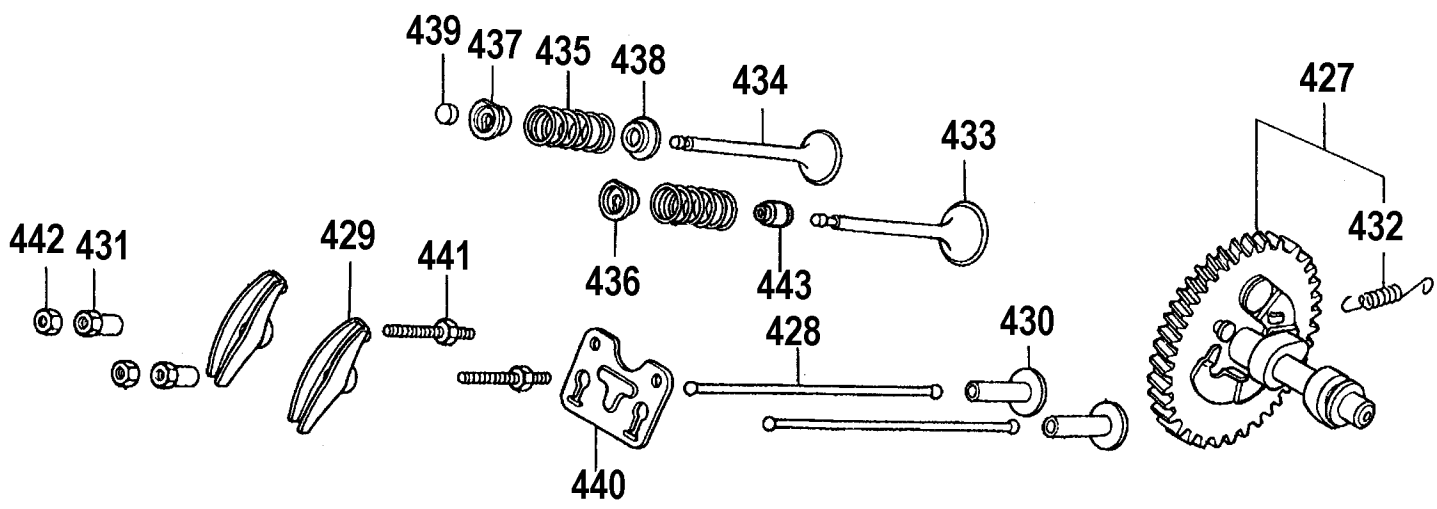
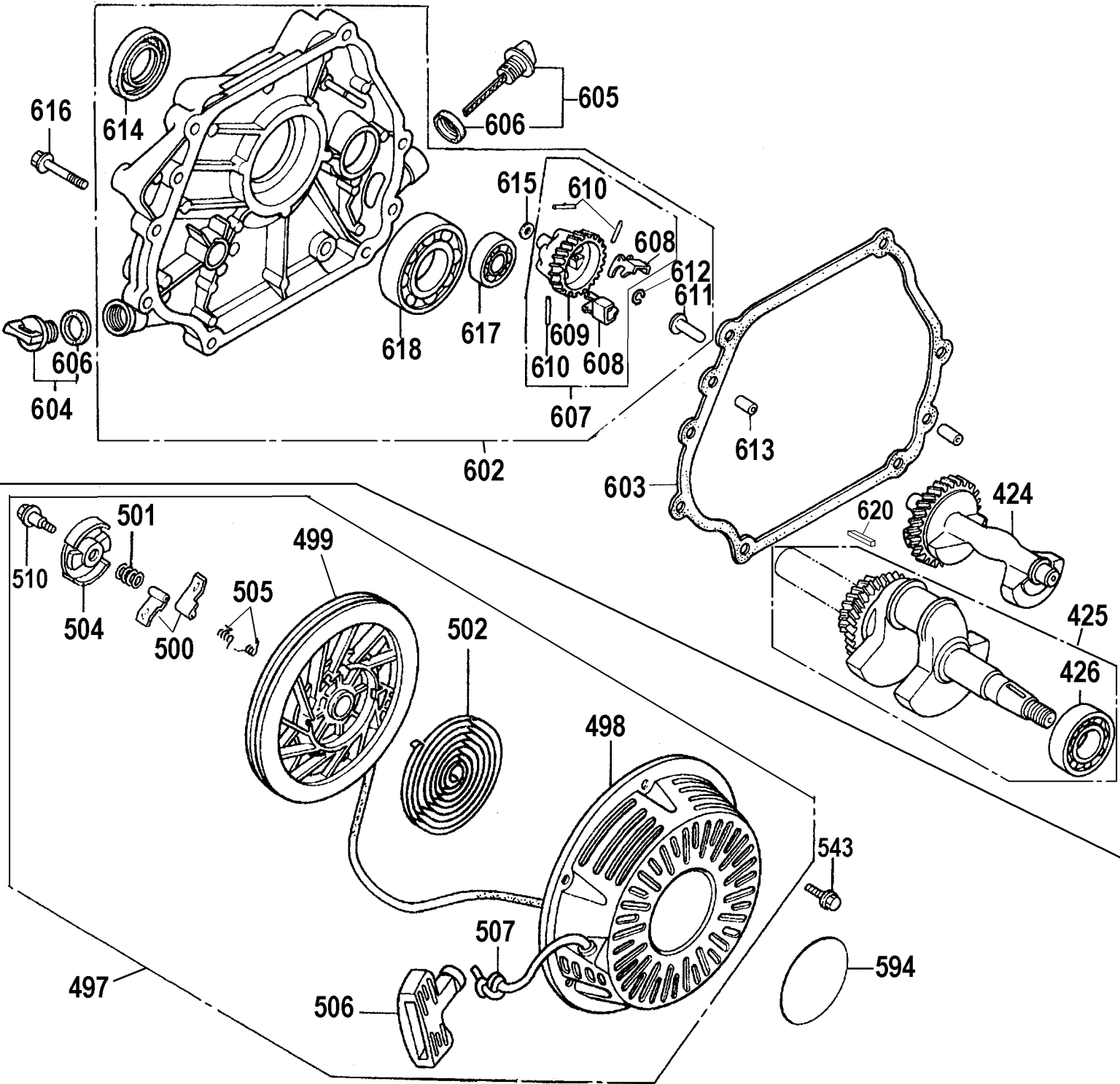
TORQUE SPECS*

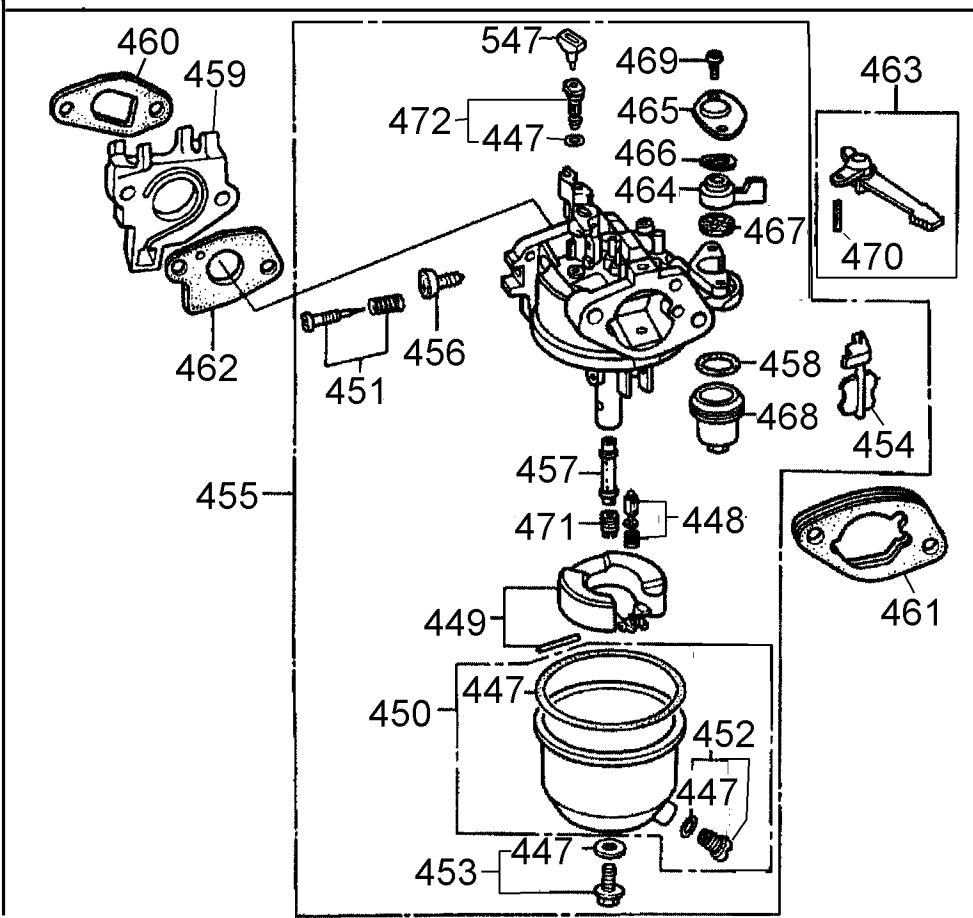
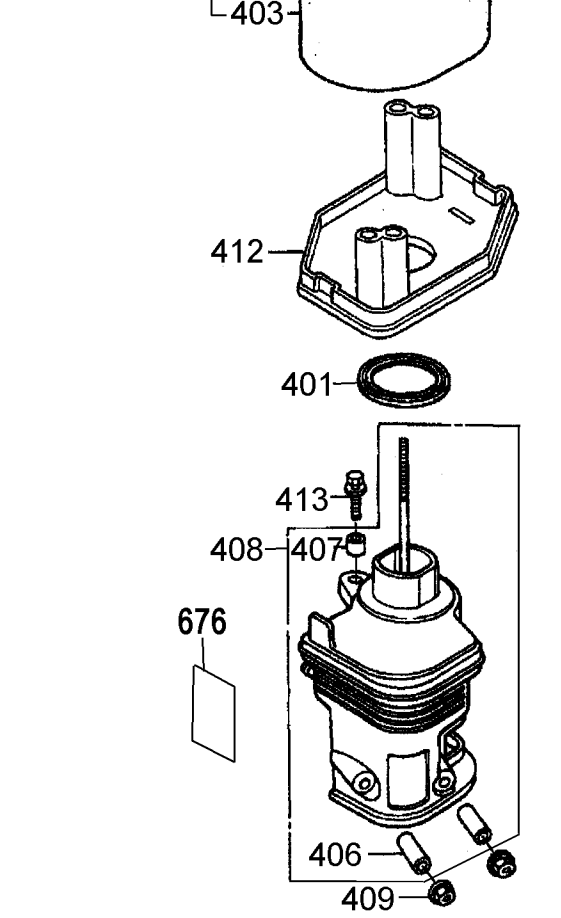
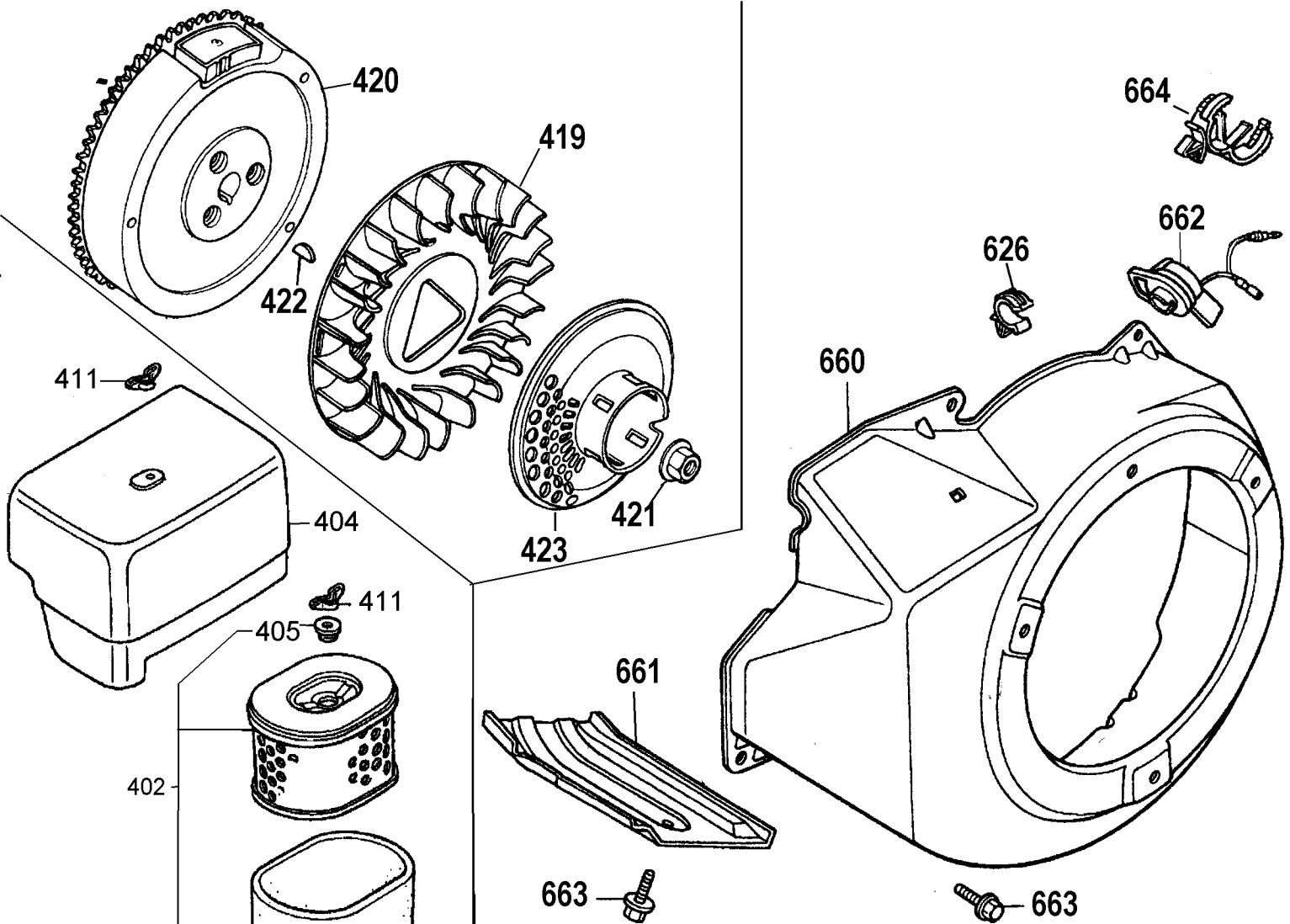
| Item | Ft/lb | Nm |
|------|-------|-----|
| 2 | 14.7 | 20 |
| 10 | 73.7 | 100 |
| 12 | 7.3 | 10 |
| 26 | 7.3 | 10 |
| 28 | 14.7 | 20 |
| 35 | 11.0 | 15 |
| 64 | 7.3 | 10 |

*Decrease torque by 20% if threads are lubricated.

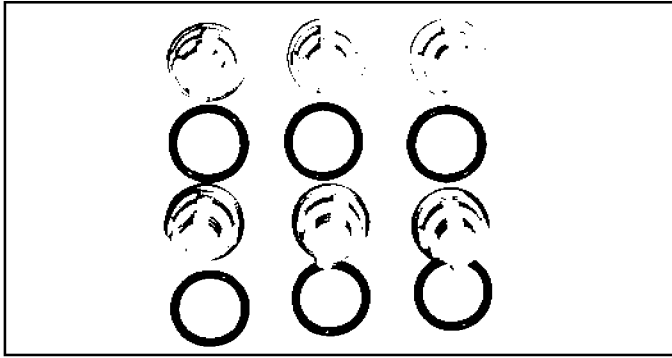




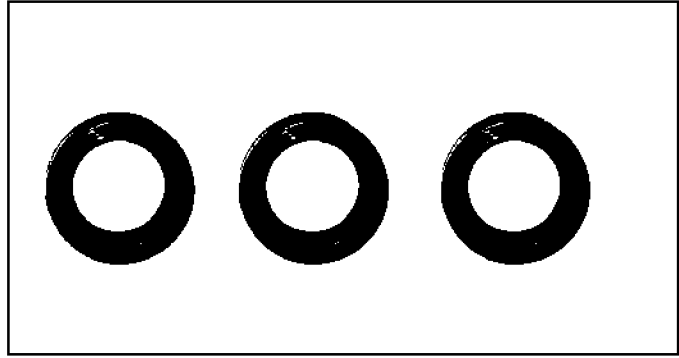




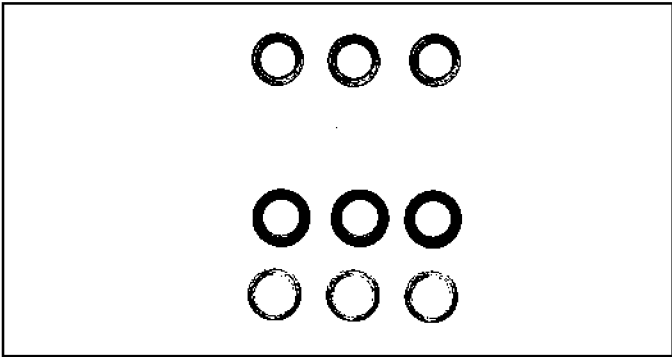
A08042 - TX1510 - GENERAL - REPAIR KITS



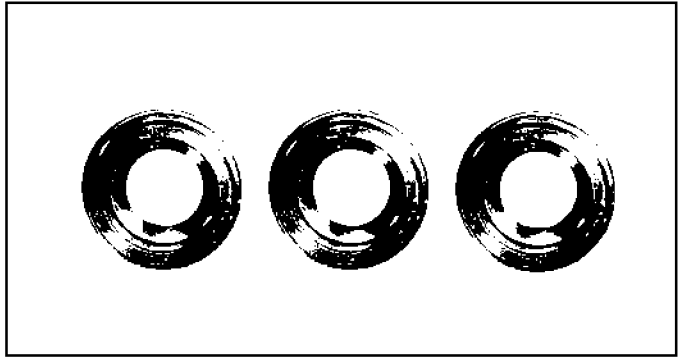
A08927 Valve Kit



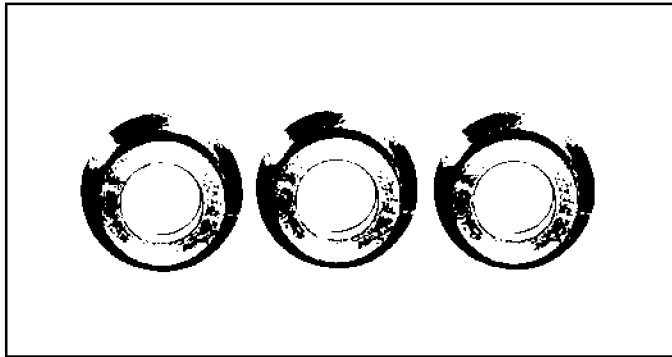
A08928 Oil Seal Kit



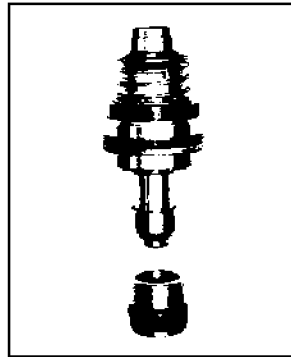
A08929 Water Pack Kit



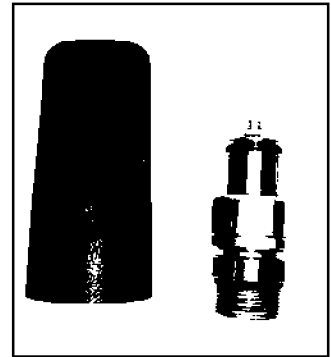
A08930 LP Retainer Kit



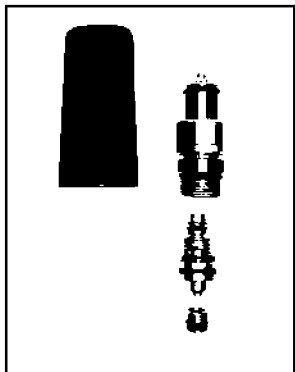
A08931 HP Retainer Kit



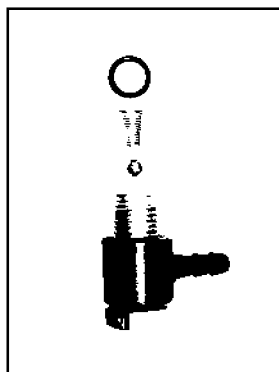
A08932 Lower Unloader Kit



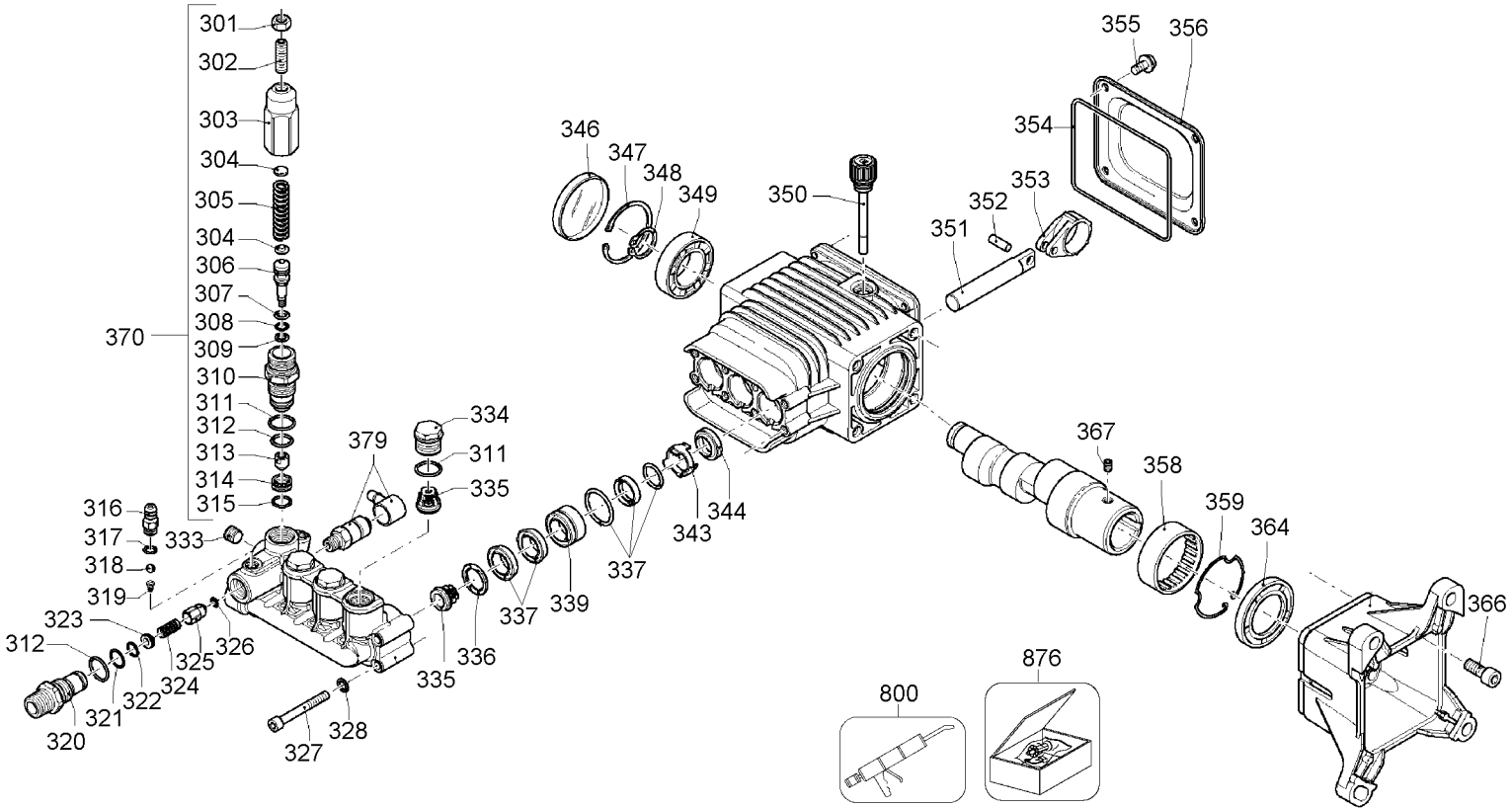
A08933 HP Upper Unloader Kit



A08934 Unloader Kit



A08935 Chemical Injector Kit



Parts List for DP3750 Type 1

| Item Number | Part Number | Description | Qty Required |
|-------------|-------------|----------------------|--------------|
| 1 | A03496 | PUMP | 1 |
| 2 | A08896 | SCREW | 8 |
| 3 | P313 | WASHER LOCK GEN 9670 | 8 |
| 4 | A08927 | KIT VALVE | 1 |
| 5 | A08927 | KIT VALVE | 1 |
| 6 | A08927 | KIT VALVE | 1 |
| 7 | A08927 | KIT VALVE | 1 |
| 8 | A08927 | KIT VALVE | 1 |
| 9 | A08904 | ORING | 6 |
| 10 | A08905 | CAP VALVE | 6 |
| 11 | A08927 | KIT VALVE | 1 |
| 12 | 15713 | SCREW .250-20X.50 GE | 8 |
| 13 | 15898 | COVER BEARING | 1 |
| 14 | A08906 | INDICATOR OIL LEVEL | 1 |
| 15 | 15727 | ORING | 2 |
| 16 | A03496 | PUMP | 1 |
| 17 | A08928 | KIT OIL SEAL | 1 |
| 18 | A03496 | PUMP | 1 |
| 19 | P467 | DIPSTICK | 1 |
| 22 | A08907 | GUIDE PLUNGER | 3 |
| 23 | A08908 | ROD CONNECTING | 3 |
| 24 | A08909 | ORING COVER | 1 |
| 25 | A08910 | COVER REAR CRANKCASE | 1 |
| 26 | A08911 | SCREW | 1 |
| 27 | A08912 | ORING | 1 |
| 28 | A08913 | PLUG | 2 |
| 29 | A08914 | PIN CON ROD | 3 |

Parts List for DP3750 Type 1

| Item Number | Part Number | Description | Qty Required |
|-------------|-------------|----------------------|--------------|
| 30 | A08915 | FLINGER WASHER | 3 |
| 31 | A08916 | RING ANTI EXTRUSION | 3 |
| 32 | A08917 | ORING | 3 |
| 33 | P619 | PLUNGER CERAMIC GEN | 3 |
| 34 | A08918 | BUSHING | 3 |
| 35 | 15838 | NUT PLUNGER GEN 9222 | 3 |
| 40 | A08930 | RETAINER | 3 |
| 41 | A08929 | KIT WATER PACK | 1 |
| 42 | A08929 | KIT WATER PACK | 1 |
| 43 | A08931 | RETAINER | 1 |
| 44 | A08929 | KIT WATER PACK | 1 |
| 49 | A08919 | INDICATOR OIL LEVEL | 1 |
| 50 | A08920 | ORING | 1 |
| 55 | A03496 | PUMP | 1 |
| 56 | A03496 | PUMP | 1 |
| 57 | A03496 | PUMP | 1 |
| 58 | A03496 | PUMP | 1 |
| 61 | A08921 | FLANGE ENGINE | 1 |
| 62 | 5140046-41 | OIL SEAL | 1 |
| 63 | A08922 | WASHER | 4 |
| 64 | A08923 | SCREW | 4 |
| 91 | 5140047-15 | HANDLE | 1 |
| 91 | A08934 | KIT UNLOADER | 1 |
| 92 | A08934 | KIT UNLOADER | 1 |
| 93 | A08934 | KIT UNLOADER | 1 |
| 94 | A08934 | KIT UNLOADER | 1 |
| 95 | A08934 | KIT UNLOADER | 1 |

Parts List for DP3750 Type 1

| Item Number | Part Number | Description | Qty Required |
|-------------|-------------|--------------------|--------------|
| 96 | A08934 | KIT UNLOADER | 1 |
| 97 | A08934 | KIT UNLOADER | 1 |
| 98 | A08934 | KIT UNLOADER | 1 |
| 99 | A08934 | KIT UNLOADER | 1 |
| 100 | A08934 | KIT UNLOADER | 1 |
| 101 | A08934 | KIT UNLOADER | 1 |
| 102 | A08934 | KIT UNLOADER | 1 |
| 103 | A08934 | KIT UNLOADER | 1 |
| 104 | A08934 | KIT UNLOADER | 1 |
| 105 | A08934 | KIT UNLOADER | 1 |
| 106 | A08934 | KIT UNLOADER | 1 |
| 107 | A08934 | KIT UNLOADER | 2 |
| 108 | A08934 | KIT UNLOADER | 1 |
| 109 | A08934 | KIT UNLOADER | 1 |
| 110 | A08934 | KIT UNLOADER | 1 |
| 111 | A08934 | KIT UNLOADER | 1 |
| 112 | A08934 | KIT UNLOADER | 1 |
| 113 | A08934 | KIT UNLOADER | 1 |
| 114 | A08934 | KIT UNLOADER | 1 |
| 115 | A08934 | KIT UNLOADER | 1 |
| 116 | A08934 | KIT UNLOADER | 1 |
| 117 | A08934 | KIT UNLOADER | 1 |
| 118 | A08934 | KIT UNLOADER | 1 |
| 119 | A08934 | KIT UNLOADER | 1 |
| 120 | P064 | ORING GEN 90383200 | 1 |
| 121 | A08924 | NIPPLE | 1 |
| 130 | A08925 | ORING | 1 |

Parts List for DP3750 Type 1

| Item Number | Part Number | Description | Qty Required |
|-------------|-------------|----------------------|--------------|
| 131 | A08926 | NOZZLE | 1 |
| 132 | A08935 | INJECTOR CHEMICAL | 1 |
| 133 | A08935 | INJECTOR CHEMICAL | 1 |
| 134 | A08935 | INJECTOR CHEMICAL | 1 |
| 135 | A08935 | INJECTOR CHEMICAL | 1 |
| 142 | A08935 | INJECTOR CHEMICAL | 1 |
| 143 | A08935 | INJECTOR CHEMICAL | 1 |
| 144 | A08935 | INJECTOR CHEMICAL | 1 |
| 201 | A08642 | ENGINE | 1 |
| 202 | D23124 | LABEL, WARNING | 1 |
| 203 | A14552 | LABEL HOT SURFACE | 1 |
| 205 | A03496 | PUMP | 1 |
| 205 | 1000000346 | PUMP | 1 |
| 206 | A13857 | LABEL WARNING | 1 |
| 209 | A13853 | FRAME | 1 |
| 210 | A13856 | HANDLE ASSEMBLY | 1 |
| 211 | A18466 | NUT | 4 |
| 212 | 18300 | BOLT .375-16X1.75 FL | 4 |
| 213 | A14452 | TIRE, PNEUMATIC | 2 |
| 214 | D30249 | COLLER AXLE SET SCRE | 2 |
| 215 | A16267 | LABEL WARNING | 1 |
| 216 | A16268 | LABEL WARNING | 1 |
| 217 | A16269 | LABEL WARNING | 1 |
| 218 | A17472 | HIGH PRESSURE HOSE | 1 |
| 218 | H140 | HOSE ASSY CHEMICAL | 1 |
| 219 | D21436 | SCREW .250-20X.750 U | 2 |
| 220 | D21437 | NUT.250-20 FLANGEHEA | 2 |

Parts List for DP3750 Type 1

| Item Number | Part Number | Description | Qty Required |
|-------------|-------------|----------------------|--------------|
| 221 | D22268 | ISOLATOR RECESSED RU | 2 |
| 222 | NCT001 | TOOL NOZZLE CLEANING | 1 |
| 223 | D30374 | NOZZLE HOLDER RUBBER | 1 |
| 224 | 17730 | NOZZLE KIT 4.5 5 PAC | 1 |
| 225 | A09154 | GUN | 1 |
| 226 | A15039 | HOSE ASSEMBLY | 1 |
| 227 | 1000000390 | LANCE | 1 |
| 228 | A19985 | SOCKET QUIK CONNECT | 2 |
| 229 | D30492 | BUTTON SNAP .302 DIA | 2 |
| 230 | A15452 | NAME PLATE | 1 |
| 231 | 17086 | REEL HOSE 100 CAP 3/ | 1 |
| 232 | A16255 | HANDLE | 1 |
| 233 | 16087 | NUT .313-18 UNC FLAN | 4 |
| 234 | F064 | SCREW .313-18X1.00 H | 4 |
| 237 | F038 | PLUG MALE 3/8 | 1 |
| 238 | F039 | PLUG QUICK CONNECT F | 1 |
| 239 | 17657 | VALVE THERMAL RELIEF | 1 |
| 240 | 16364 | PLUG 3/8 NPT | 1 |
| 250 | 90509698 | SIDE HANDLE | 1 |
| 254 | 90510760 | GUN | 1 |
| 257 | 16829 | ADAPTER 1/2 | 1 |
| 258 | H068 | SWIVEL 3/8 MALE | 1 |
| 259 | H061 | NUT SWIVEL GARDENHOS | 1 |
| 260 | A15412 | SCREW | 4 |
| 261 | A14647 | PLATE | 1 |
| 262 | M036 | KEY | 1 |
| 301 | AR-1980300 | NUT | 1 |

Parts List for DP3750 Type 1

| Item Number | Part Number | Description | Qty Required |
|-------------|-------------|----------------------|--------------|
| 302 | AR-2760420 | GRUB SCREW | 1 |
| 303 | AR-1980540 | KNOB | 1 |
| 304 | AR-1980220 | SPRING PLATE | 2 |
| 305 | AR-2760410 | SPRING | 1 |
| 306 | AR-2760400 | VALVE PISTON | 1 |
| 307 | AR-2260100 | O-RING | 1 |
| 308 | AR-660190 | O-RING | 1 |
| 309 | AR-2760210 | RING | 1 |
| 310 | AR-2760050 | PISTON GUIDE | 1 |
| 311 | AR-1200690 | O-RING | 4 |
| 312 | AR-394280 | O-RING | 2 |
| 313 | AR-2260070 | JET BY-PASS | 1 |
| 314 | AR-2760090 | SEAT | 1 |
| 315 | AR-770140 | O-RING INLET | 1 |
| 316 | D29430 | HOSE BARB AR-1982520 | 1 |
| 317 | AR-480480 | O-RING | 1 |
| 318 | AR-1250280 | BALL | 1 |
| 319 | AR-1560520 | SPRING | 1 |
| 320 | AR-2760430 | DETERGENT INJECTOR | 1 |
| 321 | AR-2760270 | O-RING | 1 |
| 322 | AR-1470210 | O-RING | 1 |
| 323 | AR-2760120 | INSERT | 1 |
| 324 | AR-2760200 | SPRING | 1 |
| 325 | AR-2760130 | JET | 1 |
| 326 | AR-1460430 | O-RING | 1 |
| 327 | AR-801080 | BOLT | 8 |
| 328 | AR-1381550 | WASHER | 8 |

Parts List for DP3750 Type 1

| Item Number | Part Number | Description | Qty Required |
|-------------|-------------|----------------------|--------------|
| 333 | AR-2760260 | PLUG | 1 |
| 334 | AR-2760180 | PLUG | 3 |
| 335 | AR-2186 | VALVE KIT | 1 |
| 336 | AR-2760220 | SUPPORT RING | 3 |
| 337 | AR-2189 | WATER SEAL | 1 |
| 339 | D29432 | PISTON GUIDE AR-1981 | 3 |
| 343 | AR-2760310 | SPACER | 3 |
| 344 | AR-1260460 | SEAL | 3 |
| 346 | AR-1266740 | CAP | 1 |
| 347 | AR-1260790 | CIRCLIP | 1 |
| 348 | AR-1780550 | RING SNAP | 1 |
| 349 | AR-1780490 | BEARING | 1 |
| 350 | AR-880130 | CAP OIL | 1 |
| 351 | AR-2760040 | PISTON | 3 |
| 352 | AR-1780050 | PIN PISTON | 3 |
| 353 | AR-1780040 | ROD CON | 3 |
| 354 | AR-2760280 | O-RING | 1 |
| 355 | AR-802190 | BOLT | 4 |
| 356 | AR-2760110 | REAR COVER | 1 |
| 358 | AR-1321190 | BEARING | 1 |
| 359 | AR-1321080 | RING SNAP | 1 |
| 364 | AR-480671 | SEAL | 1 |
| 366 | AR-180030 | SCREW | 4 |
| 367 | AR-820440 | SCREW GRUB | 1 |
| 370 | AR-2280 | UNLOADER KIT | 1 |
| 379 | AR-TPP140 | VALVE | 1 |
| 401 | 285805-44 | GASKET | 1 |

Parts List for DP3750 Type 1

| Item Number | Part Number | Description | Qty Required |
|-------------|-------------|--------------|--------------|
| 402 | 285807-16 | ELEMENT | 1 |
| 403 | 285807-17 | FILTER | 1 |
| 404 | 285807-18 | COVER | 1 |
| 405 | 285800-05 | GROMMET | 1 |
| 406 | 285805-48 | COLLAR | 2 |
| 407 | 285800-07 | COLLAR | 1 |
| 408 | 285807-20 | ELBOW | 1 |
| 409 | 285800-46 | NUT | 2 |
| 411 | 285800-11 | WING NUT | 2 |
| 412 | 285807-19 | NOSE | 1 |
| 413 | 285805-50 | BOLT | 1 |
| 419 | 285803-03 | FAN | 1 |
| 420 | 285807-01 | FLYWHEEL | 1 |
| 421 | 285803-05 | NUT | 1 |
| 422 | 285803-06 | KEY | 1 |
| 423 | 285807-00 | PULLEY | 1 |
| 424 | 285803-08 | WEIGHT | 1 |
| 425 | 285806-95 | CRANKSHAFT | 1 |
| 426 | 285806-09 | BALL BEARING | 1 |
| 427 | 285806-10 | CAMSHAFT | 1 |
| 428 | 285803-11 | PUSH ROD | 2 |
| 429 | 285803-12 | ARM | 2 |
| 430 | 285803-13 | LIFTER | 2 |
| 431 | 285800-18 | PIVOT | 2 |
| 432 | 285800-19 | SPRING | 1 |
| 433 | 285803-14 | INTAKE VALVE | 1 |
| 434 | 285803-15 | VALVE | 1 |

Parts List for DP3750 Type 1

| Item Number | Part Number | Description | Qty Required |
|-------------|-------------|---------------|--------------|
| 435 | 285803-16 | SPRING | 2 |
| 436 | 285803-17 | RETAINER | 1 |
| 437 | 285803-18 | RETAINER | 1 |
| 438 | 285803-19 | SEAT | 1 |
| 439 | 285803-20 | ROTATOR VALVE | 1 |
| 440 | 285803-21 | PLATE | 1 |
| 441 | 285800-27 | BOLT | 2 |
| 442 | 285800-28 | NUT | 2 |
| 443 | 285803-22 | SEAL | 1 |
| 447 | 285805-51 | GASKET SET | 1 |
| 448 | 285803-76 | VALVE SET | 1 |
| 449 | 285803-77 | FLOAT SET | 1 |
| 450 | 285805-61 | CHAMBER SET | 1 |
| 451 | 285800-51 | SET SCREW | 1 |
| 452 | 285800-52 | SET SCREW | 1 |
| 453 | 285800-53 | SET SCREW | 1 |
| 454 | 285806-82 | CHOKE SET | 1 |
| 455 | 285806-83 | CARBURETOR | 1 |
| 456 | 285800-56 | SCREW | 1 |
| 457 | 285806-84 | NOZZLE | 1 |
| 458 | 285800-58 | O-RING | 1 |
| 459 | 285806-85 | INSULATOR | 1 |
| 460 | 285806-05 | GASKET | 1 |
| 461 | 285805-56 | SPACER | 1 |
| 462 | 285806-04 | GASKET | 1 |
| 463 | 285800-63 | LEVER | 1 |
| 464 | 285800-64 | LEVER | 1 |

Parts List for DP3750 Type 1

| Item Number | Part Number | Description | Qty Required |
|-------------|-------------|----------------|--------------|
| 465 | 285800-65 | PLATE | 1 |
| 466 | 285800-66 | SPRING | 1 |
| 467 | 285800-67 | GASKET | 1 |
| 468 | 285800-68 | CUP | 1 |
| 469 | 285800-69 | SCREW | 2 |
| 470 | 285800-70 | PIN | 1 |
| 471 | 285805-59 | MAIN JET | 1 |
| 471 | 285806-86 | MAIN JET | 1 |
| 471 | 285806-87 | MAIN JET | 1 |
| 472 | 285804-58 | JET | 1 |
| 473 | 285802-81 | OIL SEAL | 1 |
| 474 | 285801-10 | O-RING | 1 |
| 475 | 285801-11 | NUT | 1 |
| 476 | 285802-82 | WASHER | 2 |
| 477 | 285802-83 | LOCK PIN | 1 |
| 478 | 285801-14 | BOLT | 2 |
| 479 | 285802-70 | BEARING | 1 |
| 480 | 285801-22 | OIL ALERT UNIT | 1 |
| 481 | 285800-41 | BOLT | 1 |
| 482 | 285802-85 | CYLINDER HEAD | 1 |
| 483 | 285802-86 | GUIDE | 1 |
| 484 | 285802-87 | GUIDE | 1 |
| 485 | 285802-88 | CLIP | 1 |
| 486 | 285806-22 | GASKET | 1 |
| 487 | 285802-90 | COVER | 1 |
| 488 | 285802-91 | GASKET | 1 |
| 489 | 285802-92 | BOLT | 1 |

Parts List for DP3750 Type 1

| Item Number | Part Number | Description | Qty Required |
|-------------|-------------|---------------|--------------|
| 490 | 285806-97 | BOLT | 2 |
| 491 | 285803-51 | TUBE | 1 |
| 492 | 285802-95 | BOLT | 2 |
| 493 | 285802-96 | WASHER | 1 |
| 494 | 285802-97 | PIN | 1 |
| 495 | 285804-79 | BOLT | 4 |
| 496 | 285800-98 | SPARK PLUG | 1 |
| 497 | 285803-39 | STARTER ASSY. | 1 |
| 498 | 285803-40 | CASE | 1 |
| 499 | 285803-41 | PULLEY | 1 |
| 500 | 285803-42 | RATCHET | 2 |
| 501 | 285803-43 | SPRING | 1 |
| 502 | 285803-44 | SPRING | 1 |
| 503 | 285804-38 | BOLT | 2 |
| 504 | 285803-46 | RETAINER | 1 |
| 505 | 285803-45 | SPRING | 1 |
| 506 | 285803-48 | GRIP | 1 |
| 507 | 285803-49 | ROPE | 1 |
| 508 | 285802-71 | OIL SEAL | 1 |
| 510 | 285803-50 | SCREW | 1 |
| 511 | 285802-79 | WASHER | 1 |
| 533 | 285801-33 | RUBBER TUBE | 1 |
| 534 | 285801-34 | JOINT | 1 |
| 535 | 285807-02 | TANK | 1 |
| 536 | 285807-03 | FUEL CAP | 1 |
| 537 | 285807-04 | GASKET | 1 |
| 538 | 285801-10 | O-RING | 1 |

Parts List for DP3750 Type 1

| Item Number | Part Number | Description | Qty Required |
|-------------|-------------|----------------|--------------|
| 539 | 285803-72 | NUT | 2 |
| 540 | 285801-40 | HOSE | 1 |
| 541 | 285801-41 | CLIP | 4 |
| 542 | 285805-87 | BOLT | 2 |
| 543 | 285801-53 | BOLT | 3 |
| 547 | 285803-84 | COLLAR | 1 |
| 567 | 285807-05 | MUFFLER | 1 |
| 568 | 285807-06 | PROTECTOR | 1 |
| 569 | 285807-07 | PROTECTOR | 1 |
| 570 | 285805-92 | EXHAUST PIPE | 1 |
| 571 | 285807-08 | CAP | 1 |
| 572 | 285807-09 | GASKET | 1 |
| 573 | 285807-10 | SPARK ARRESTOR | 1 |
| 574 | 285805-95 | GASKET | 1 |
| 575 | 285800-41 | BOLT | 1 |
| 576 | 285801-71 | SCREW | 5 |
| 577 | 285801-72 | SCREW | 3 |
| 578 | 285803-72 | NUT | 5 |
| 579 | 285807-12 | CAUTION LABEL | 1 |
| 580 | 285807-11 | SCREW | 1 |
| 583 | 285804-86 | IGNITION COIL | 1 |
| 584 | 285801-30 | CAPACITOR ASSY | 1 |
| 588 | 285804-24 | GROMMET | 1 |
| 589 | 285804-88 | WIRE | 1 |
| 593 | 285802-29 | BOLT | 2 |
| 594 | 285806-23 | EMBLEM | 1 |
| 599 | 285805-86 | FILTER | 1 |

Parts List for DP3750 Type 1

| Item Number | Part Number | Description | Qty Required |
|-------------|-------------|----------------|--------------|
| 602 | 285806-93 | COVER ASSEMBLY | 1 |
| 603 | 285804-36 | GASKET | 1 |
| 604 | 285800-77 | CAP ASSY. | 1 |
| 605 | 285802-74 | CAP ASSY. | 1 |
| 606 | 285800-78 | GASKET | 2 |
| 607 | 285802-64 | GOVERNOR | 1 |
| 608 | 285802-66 | WEIGHT | 2 |
| 609 | 285802-65 | HOLDER | 1 |
| 610 | 285802-67 | PIN | 1 |
| 611 | 285802-68 | SLIDER | 1 |
| 612 | 285801-07 | CLIP | 1 |
| 613 | 285802-73 | DOWEL PIN | 2 |
| 614 | 285802-71 | OIL SEAL | 1 |
| 615 | 285801-12 | WASHER | 1 |
| 616 | 285802-72 | BOLT | 1 |
| 617 | 285802-70 | BEARING | 1 |
| 618 | 285802-69 | BEARING | 1 |
| 620 | 285805-77 | KEY | 1 |
| 626 | 285805-80 | CLIP | 1 |
| 629 | 285806-90 | CONTROL ASSY | 1 |
| 630 | 285806-88 | ARM | 1 |
| 631 | 285803-25 | ROD | 1 |
| 632 | 285803-26 | SPRING | 1 |
| 633 | 285806-89 | SPRING | 1 |
| 634 | 285806-91 | CONTROL LEVER | 1 |
| 635 | 285800-35 | SPRING | 1 |
| 636 | 285805-66 | WASHER | 1 |

Parts List for DP3750 Type 1

| Item Number | Part Number | Description | Qty Required |
|-------------|-------------|----------------|--------------|
| 637 | 285800-37 | HOLDER | 1 |
| 638 | 285805-67 | SPACER | 1 |
| 639 | 285800-39 | SPRING | 1 |
| 640 | 285805-69 | SPRING | 1 |
| 641 | 285800-41 | BOLT | 2 |
| 642 | 285800-42 | BOLT | 1 |
| 643 | 285800-43 | NUT | 1 |
| 644 | 285806-92 | SCREW | 1 |
| 645 | 285802-21 | SCREW | 1 |
| 646 | 285800-46 | NUT | 1 |
| 654 | 285806-12 | RING SET | 1 |
| 654 | 285806-24 | RING SET | 1 |
| 654 | 285806-13 | RING SET | 1 |
| 654 | 285806-14 | RING SET | 1 |
| 655 | 285806-15 | PISTON | 1 |
| 655 | 285806-16 | PISTON | 1 |
| 655 | 285806-17 | PISTON | 1 |
| 655 | 285806-18 | PISTON | 1 |
| 656 | 285807-15 | PIN | 1 |
| 657 | 285806-19 | CONNECTING ROD | 1 |
| 657 | 285806-20 | CONNECTING ROD | 1 |
| 658 | 285803-37 | BOLT | 2 |
| 659 | 285803-38 | CLIP | 2 |
| 660 | 285806-98 | COVER | 1 |
| 661 | 285803-00 | SHROUD | 1 |
| 662 | 285806-99 | SWITCH ASSY. | 1 |
| 663 | 285800-41 | BOLT | 6 |

Parts List for DP3750 Type 1

| Item Number | Part Number | Description | Qty Required |
|-------------|-------------|--------------------|--------------|
| 664 | 285805-82 | CLIP | 1 |
| 665 | A08642 | ENGINE | 1 |
| 666 | 285802-76 | SWITCH ASSY | 1 |
| 667 | 285802-77 | SHAFT | 1 |
| 675 | 285801-75 | LABEL | 1 |
| 676 | 285805-88 | LABEL | 1 |
| 678 | 285801-78 | LABEL | 1 |
| 800 | AR-64516 | OIL | 1 |
| 876 | AR-2190 | O-RING KIT | 1 |
| 876 | A08932 | KIT UNLOADER LOWER | 1 |
| 876 | A08933 | KIT UNLOADER UPPER | 1 |